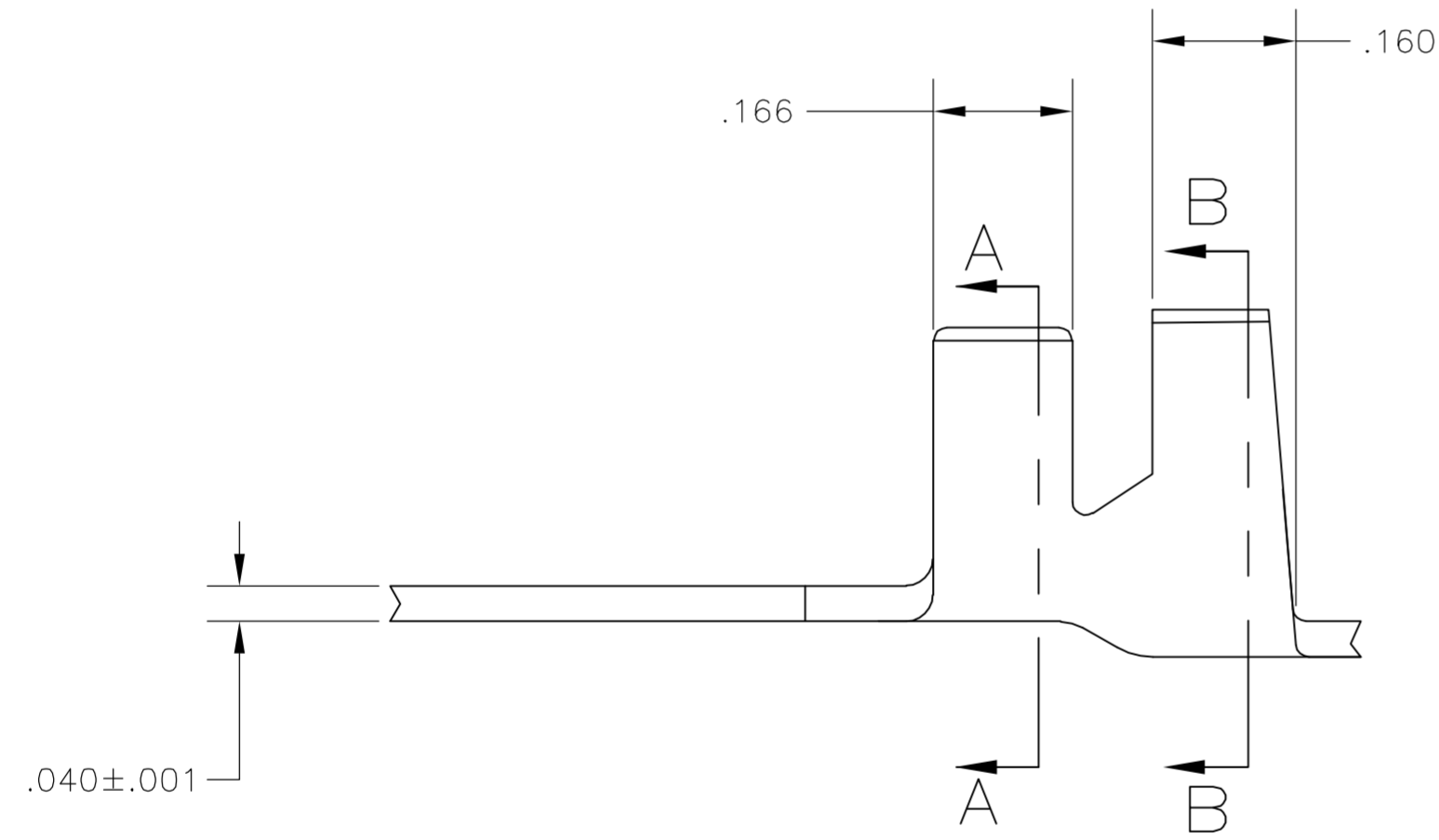
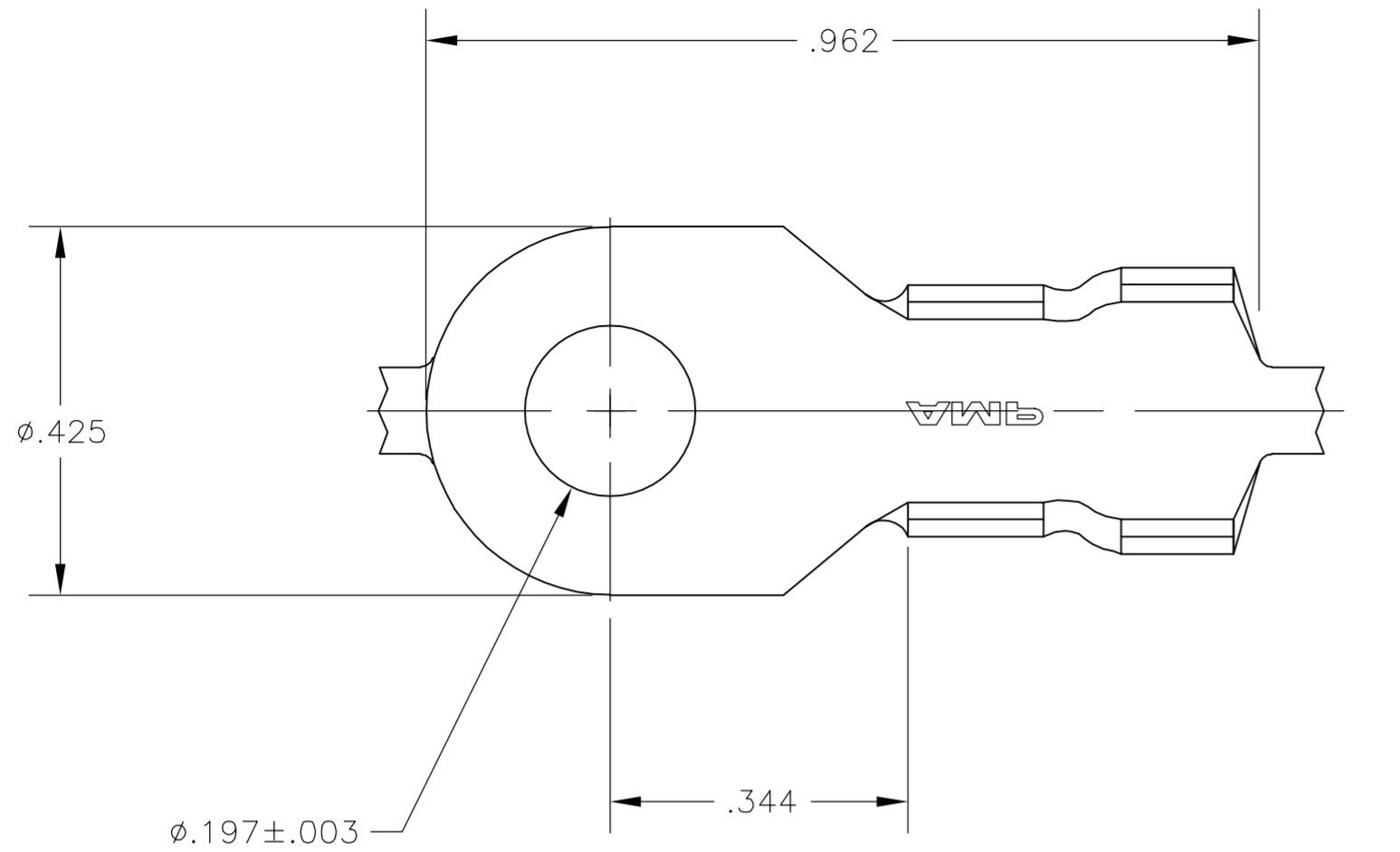
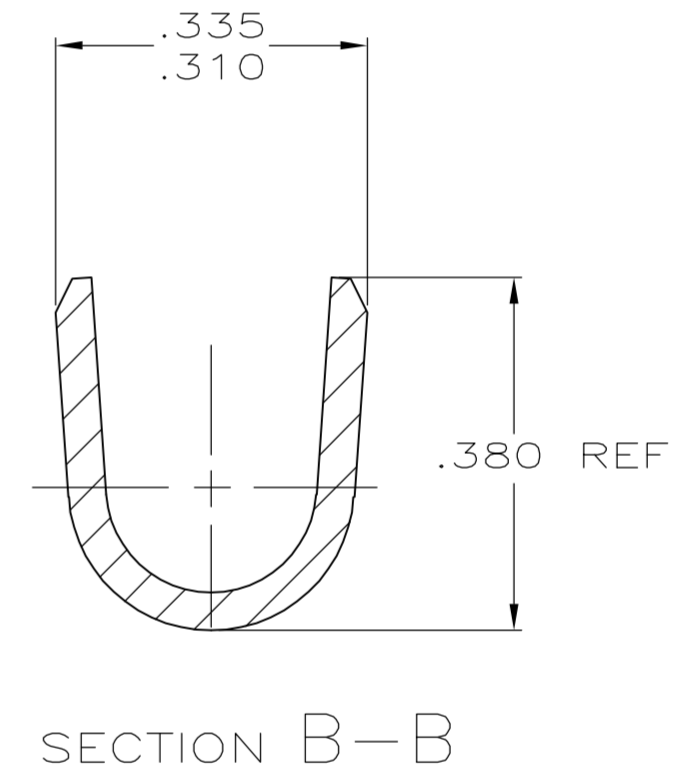
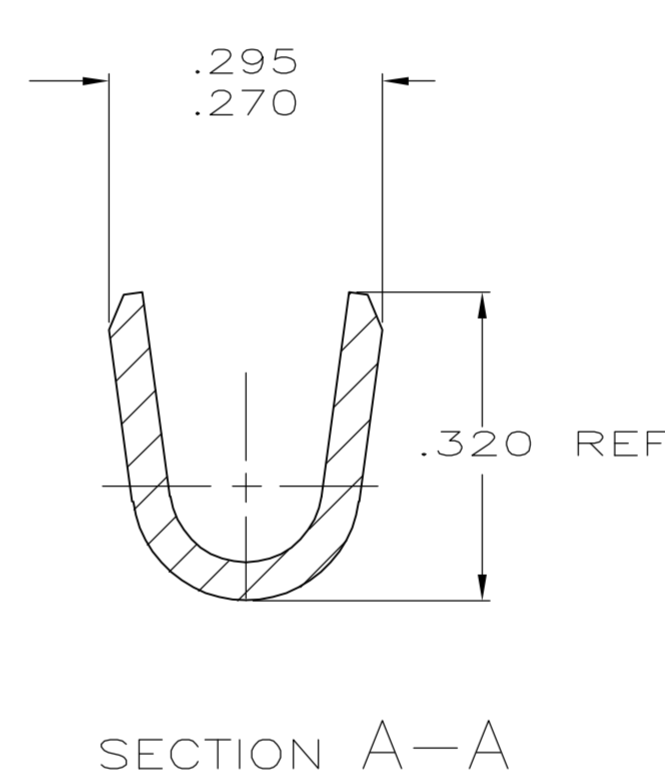


THIS DRAWING IS UNPUBLISHED. RELEASED FOR PUBLICATION
 © COPYRIGHT BY TYCO ELECTRONICS CORPORATION. ALL RIGHTS RESERVED.

LOC	DIST	REVISIONS			
P	LTR	DESCRIPTION	DATE	DWN	APVD
AF	50	E1	REVISED PER ECR-06-002775	15FEB06	HMR DD



- 1 CONTINUOUS STRIP ON REEL.
- 2 WIRE RANGE: #10-#8 AWG.
- 3 INSULATION RANGE: .190-.230 DIA.
- 4 \triangle .000080 MIN BRIGHT TIN PLATE OVER
.000050 MIN NICKEL UNDERPLATE.
- 5 \triangle .000080 MIN TIN PLATE.



-	640249-4
$\triangle 5$	640249-3
-	-
$\triangle 4$	640249-1
FINISH	PART NUMBER

DIMENSIONS:		TOLERANCES UNLESS OTHERWISE SPECIFIED:		DWN		Tyco Electronics Corporation	
INCHES		0 PLC $\pm -$		MICHAEL S. FEHER		Harrisburg, PA 17105-3608	
		1 PLC $\pm -$		02MAY2003		NAME #10 STUD, TONGUE, RING	
		2 PLC $\pm .010$		02MAY2003			
		3 PLC $\pm -$		DONALD F. DECKER		SIZE	
		4 PLC $\pm -$		APVD		CAGE CODE	
		ANGLES $\pm -$		DONALD F. DECKER		DRAWING NO	
		FINISH		PRODUCT SPEC		RESTRICTED TO	
MATERIAL		SEE TABLE		APPLICATION SPEC		SCALE	
082 BRASS				WEIGHT		SHEET	
				CUSTOMER DRAWING		REV	
						E1	